

Indoor bushing - 10 - 1250

Product order code - **600 000 483**

PR – bushing

SHMI – epoxy moulding mixture for indoor use

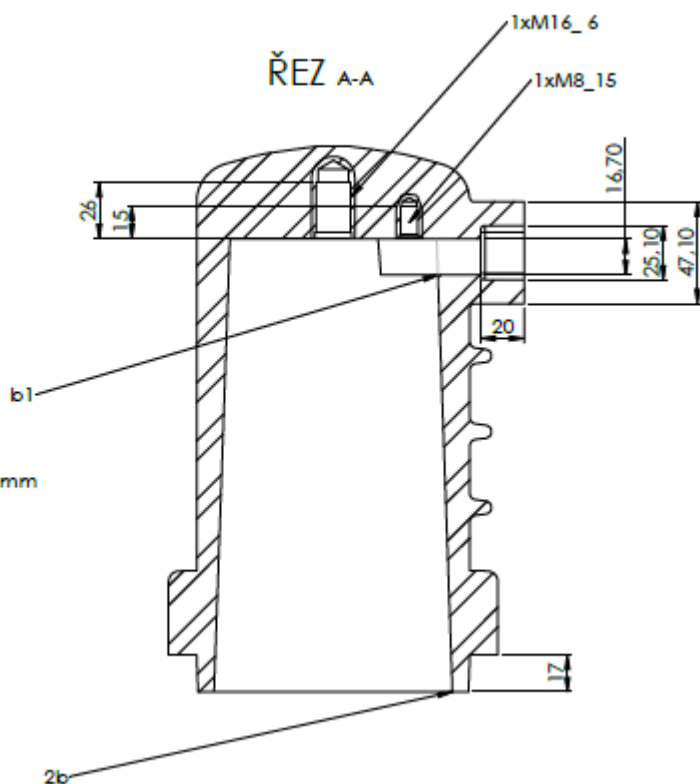
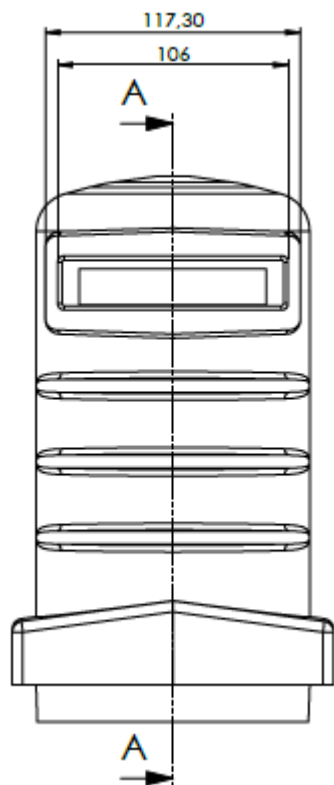
010.0 – nominal voltage 10 kV

01250 – nominal current 1250 A

Weight – 3.4 kg

KPB Intra
Instrument Transformers





b1-b2 192,5mm

