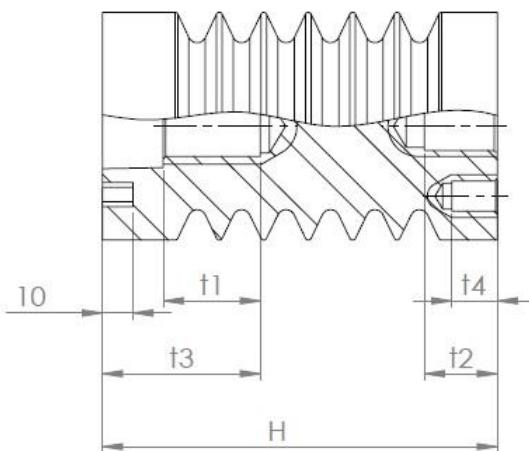
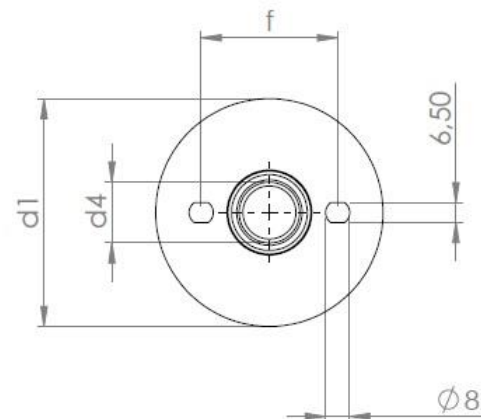
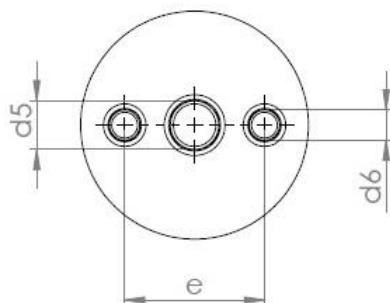


Indoor supporting insulator 10 AN - 1

Product order code: 600 000 025



KPB Intra
Instrument Transformers

Type of indoor supporting insulator	Highest voltage for equipment [kV]	Power frequency withstand voltage [kV]	Lightning impulse test voltage [kV]	Failing load [kN]	Height of insulator [mm]	d1	d4	d5	d6	e	t1	t2	t3	t4	f	Weight [kg]	Creepage length [mm]
10AN-1	12	28	75	8	130	60	M16	M10	M 6	36	25	15	40	13	38	0,6	193

