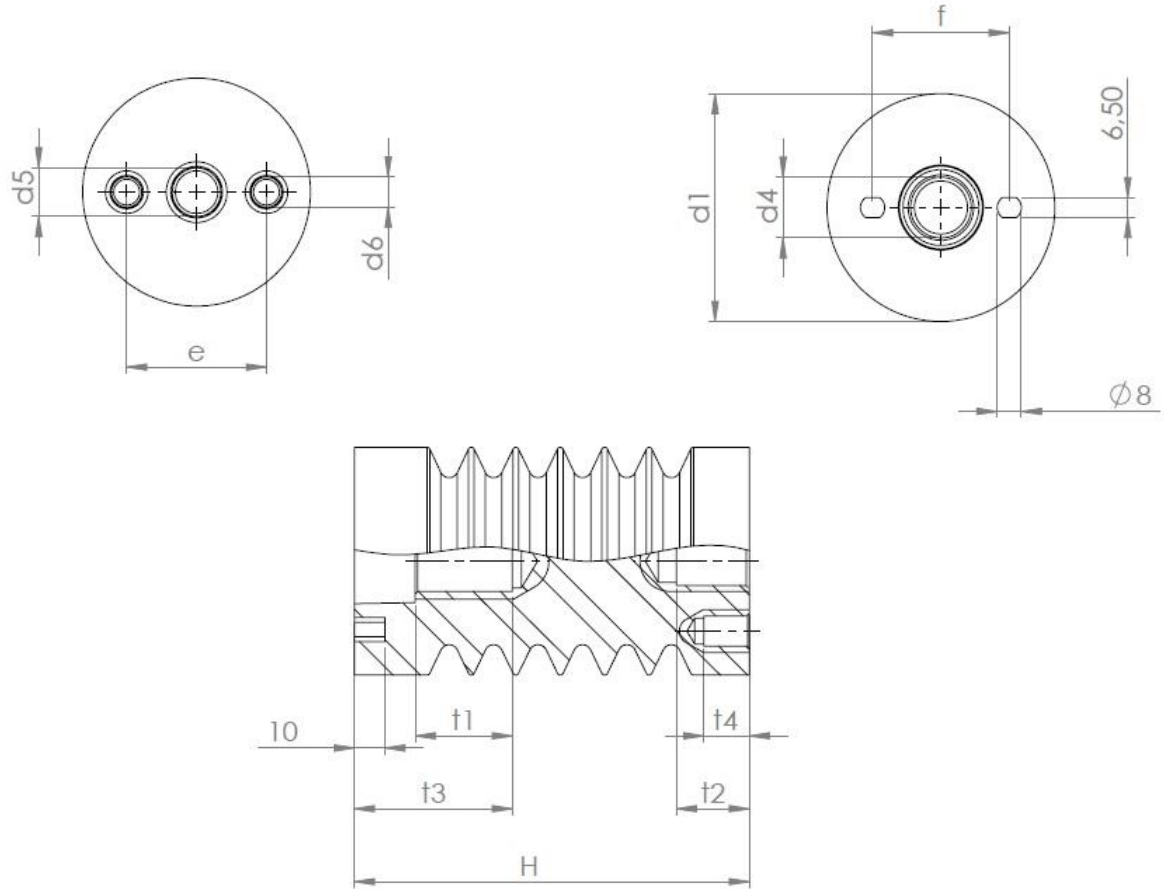
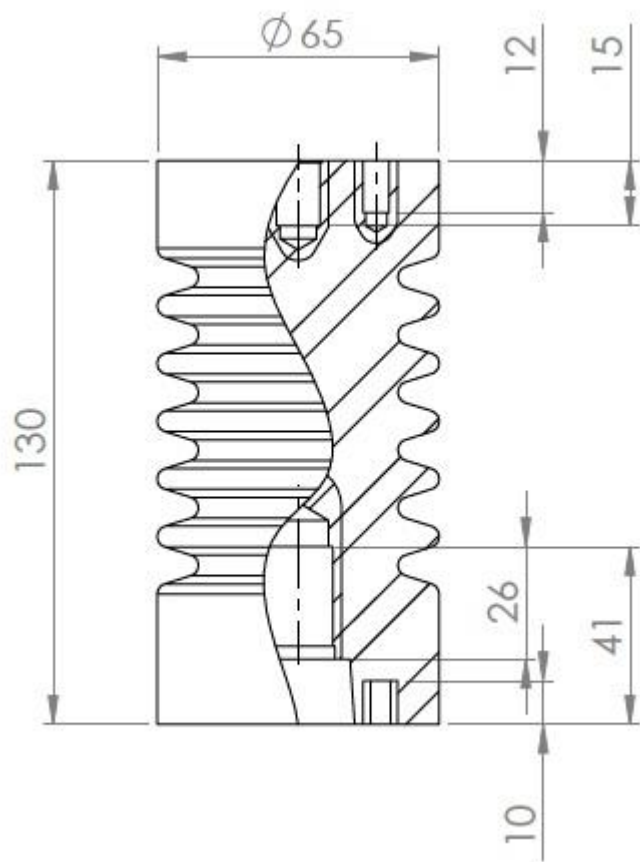


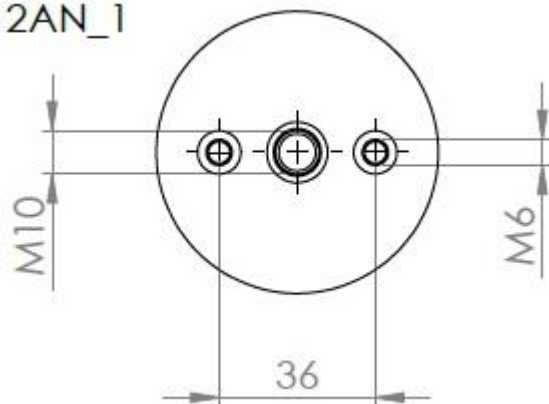
Indoor supporting insulator 12 AN



Type of indoor supporting insulator	Highest voltage for equipment [kV]	Power frequency withstand voltage [kV]	Lightning impulse test voltage [kV]	Failing load [kN]	Height of insulator [mm]	d1	d4	d5	d6	e	t1	t2	t3	t4	f	Weight [kg]	Creepage length [mm]	Order code
12AN-1	12	28	75	8	130	65	M16	M10	M6	36	25	15	40	12	38	0,7	201,5	600 000 476
12AN-2	12	28	75	8	130	65	M16	0	M8	36	25	0	40	12	38	0,7	201,5	600 000 523



12AN_1



12AN_2

