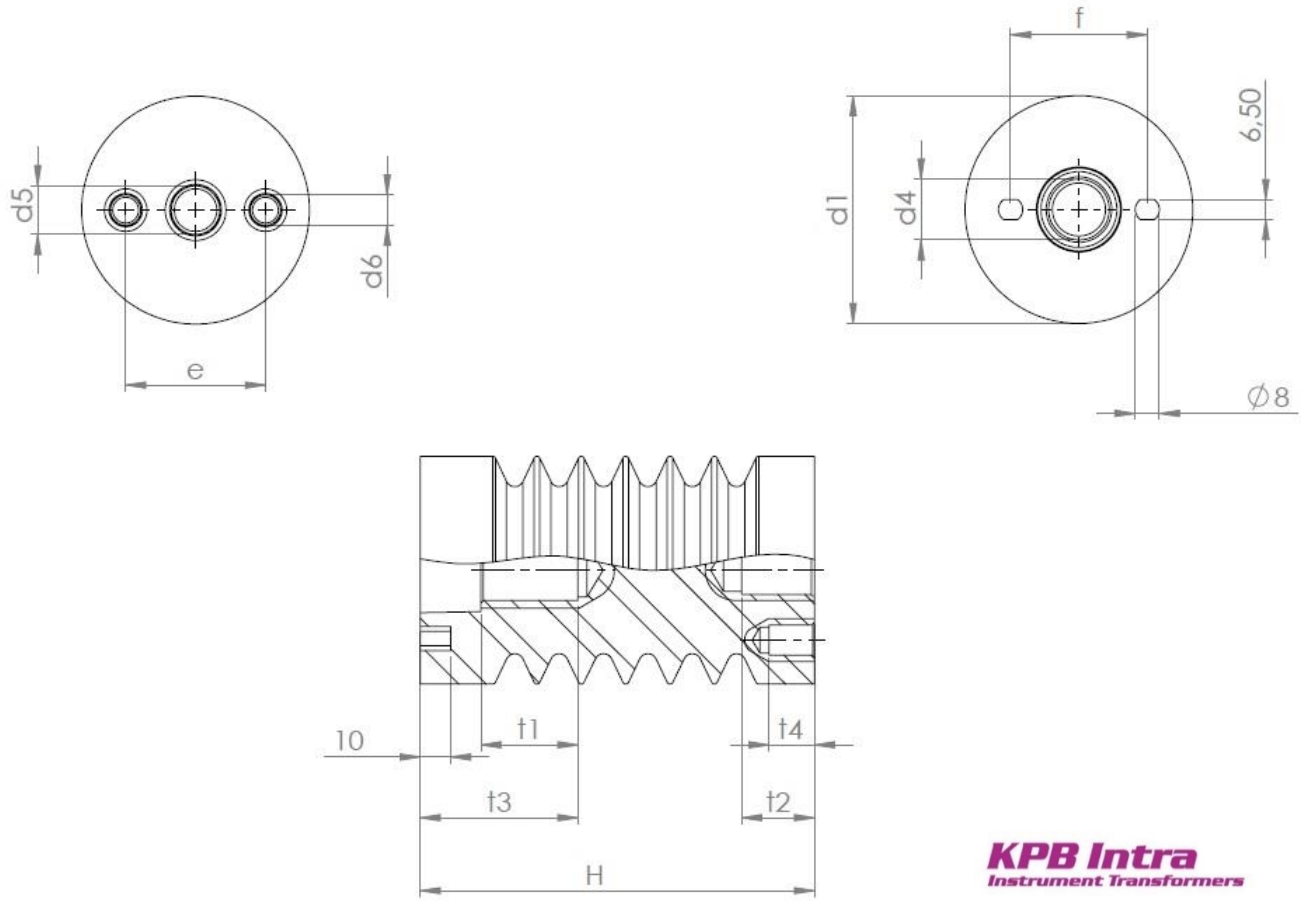


# Indoor supporting insulator 20 AN



**KPB Intra**  
Instrument Transformers

Type of indoor supporting insulator	Highest voltage for equipment [kV]	Power frequency withstand voltage [kV]	Lightning impulse test voltage [kV]	Failing load [kN]	Height of insulator [mm]	d1	d4	d5	d6	e	t1	t2	t3	t4	f	Weight [kg]	Creepage length [mm]	Order code
20AN-1	24	50	125	7	210	75	M16	M10	M 6	36	25	15	45	11	45	1,3	314,5	600 000 028
20AN-2	24	50	125	7	210	75	M16	0	M8	36	25	0	45	12	45	1,3	314,5	600 000 029

