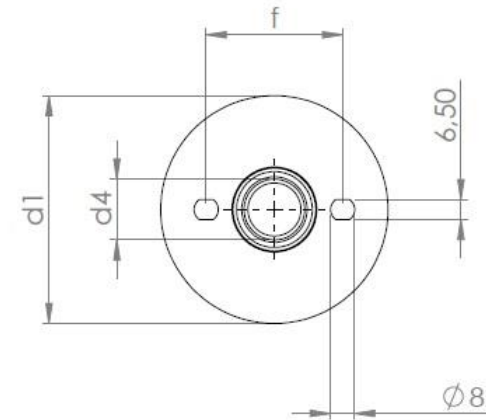
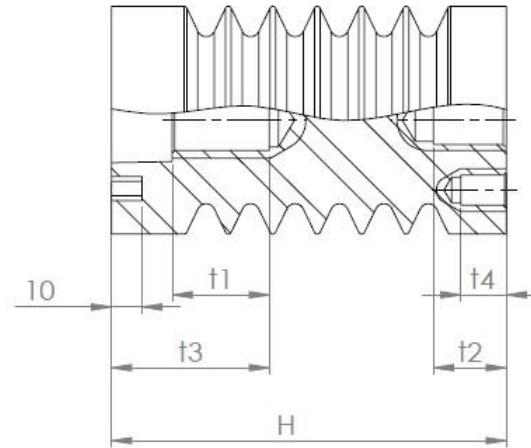
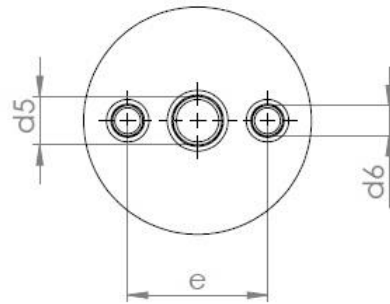


# Indoor supporting insulator 20 CN

Product order code: 600 000 010



**KPB Intra**  
Instrument Transformers

Type of indoor supporting insulator	Highest voltage for equipment [kV]	Power frequency withstand voltage [kV]	Lightning impulse test voltage [kV]	Failing load [kN]	Height of insulator [mm]	d1	d4	d5	d6	e	t1	t2	t3	t4	f	Weight [kg]	Creepage length [mm]
20CN	24	50	125	16	210	110	M24	M16	M10	66	35	24	55	15	60	3,2	314,5

