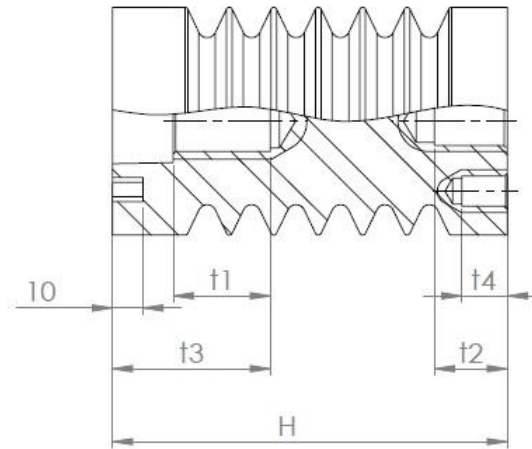
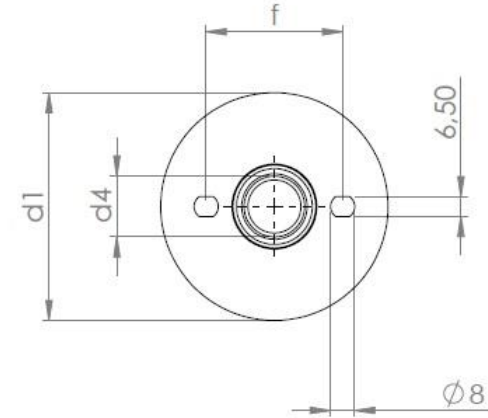
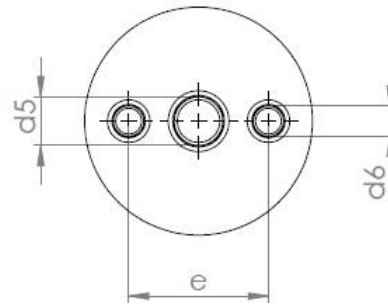


Outdoor supporting insulator 10 ANO - 5

Product order code: 600 000 497



KPB Intra
Instrument Transformers

Type of outdoor supporting insulator	Highest voltage for equipment [kV]	Power frequency test voltage [kV]	Lightning impulse test voltage [kV]	Failing load [N]	Height [mm]	d1	d4	d5	d6	e	t1	t2	t3	t4	f	Creepage length [mm]	Weight [kg]
10 ANO - 5	12	28	75	5000	210	122	M16	0	M10	46	33	0	50	16	0	467	2.1

