

Current instrument supporting transformer CTS 12.09.L



Supporting current instrument transformers CTS 12.09.L are designed for the measurement and protection of the distributing facilities of high voltage for inner settings.

The value of the secondary current is 5 A or 1 A with the possibility of combination. The classes of accuracy for the circuits of measurement are 0.2S, 0.2, 0.5S, 0.5, 1, 3, for the circuit of protection are 5P, 10P and PX. The transformers comply with the required class of accuracy within the values from 25% to 100% of rated load.

The limiting working current is 120% of I_N , according to the agreement of producer and customer it is possible to supply other values, for example 200% of I_N .

Transformers CTS 12.09.L are constructed as transformers with single-turn or multi-turn primary winding. The up-to-date construction of these transformers allows the switching not only on the secondary side but also on the primary one.

The number of cores can be from 1 to 6 according to the request of customer.

All active parts of transformer are compound-insulated with epoxy-mixture. This material performs both the electrical insulating and the mechanical functions.

The mounting position of transformers is arbitrary. Transformers are fixed by the means of four screws in the holes in the basic plate. The primary terminals of transformers are provided with screws M12x35 mm. We recommend use terminal ends corresponding to the used cross-section of the conductor for attaching

Technical specifications

Highest voltage for equipment:

12/17.5 kV

Power frequency test voltage:

28/55 kV

Lightning impulse test voltage:

75/95 kV

Nominal primary current:

5 - 3000 A

Nominal secondary current:

5 (1) A

Rated short-time thermal current, I_{th} :

max 80 kA/1s (31.5 kA/3s)

Rated dynamic current, I_{dyn} :

max 200 kA

Rated continuous thermal current, I_{cth} :

120% I_N

Accuracy class - measurement:

0.2S, 0.2, 0.5S, 0.5, 1, 3

Overcurrent factor - measurement:

FS 5, FS 10

Accuracy class - protection:

5P, 10P, PX

Overcurrent factor - protection:

5, 10, 15, 20, 25, 30

Nominal power:

5-60 VA

to the secondary outlets. The secondary terminal plate is provided with the cover with sealing screw. Inside, there is the set with jumpers and small screws for the possibility of earth connection and short circuiting of the wiring. (See "The Instructions for the mounting and operation").

For the use of the transformers CTS 12.09.L in distributors VH-IRODEL we produce and supply epoxy adapter, pin and special basic plate. In cases, where the supplement for the older types of transformers (by various producers) is required, we supply instruments CTS 12.09.L on the modified basic plates that have identical mounting spacing to spacing of the substituted types.

Transformers CTS 12.09.L complied with all the tests according to IEC EN 6044-1.

For the customer's request we provide official calibration.

It is possible to consult other technical parameters with the producer.

Length creepage:

250 mm

Nominal frequency:

50 Hz

Weight:

34 kg

The temperature class:

E

Operation conditions:

operating temperature from -45°C to +55°C

Transport and storage conditions:

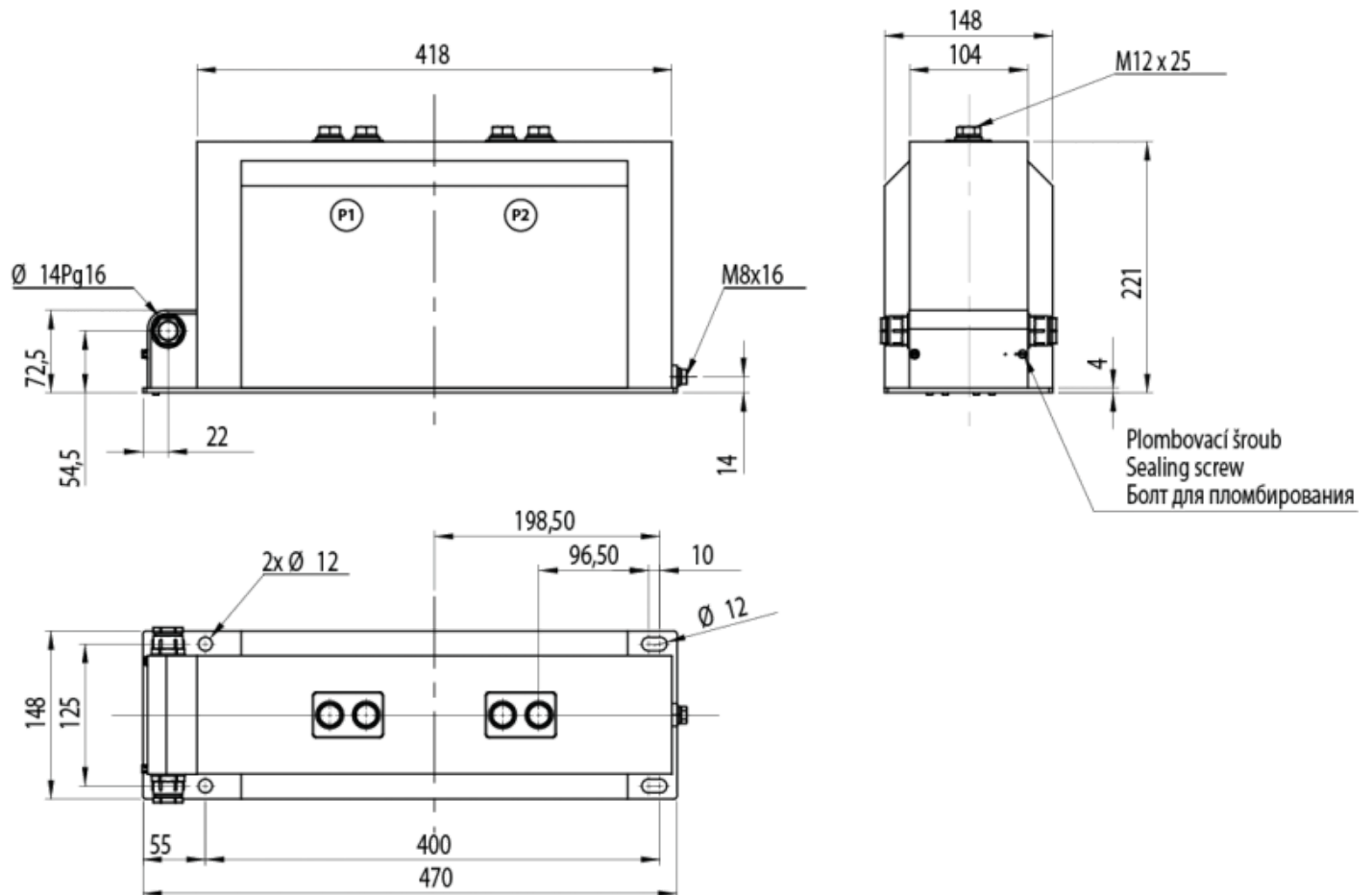
ship tightly fasten to a palette

store in temperatures from -50°C to +60°C

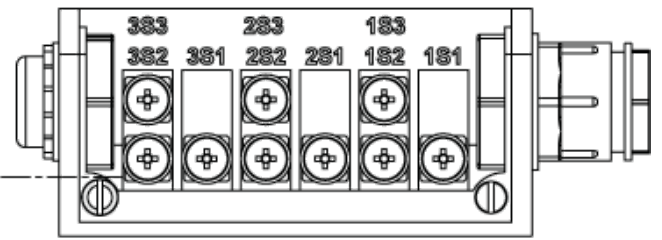
Standard:

ČSN EN 60044-1, IEC EN 60044-1, ČSN EN 61869-1, ČSN EN 61869-2, IEC EN 61869-1, IEC EN 61869-2, GOST 15 150

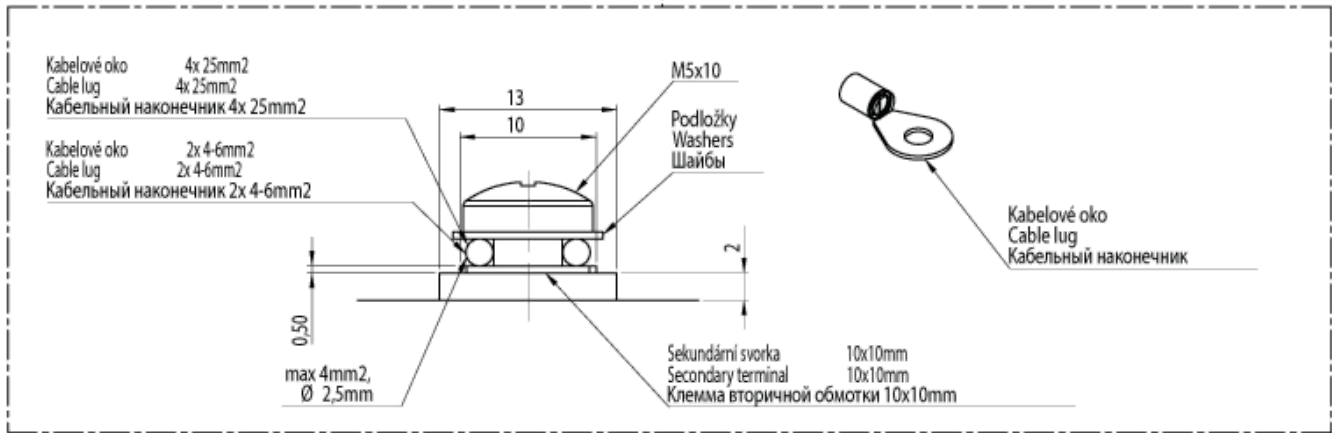
Technical drawings:



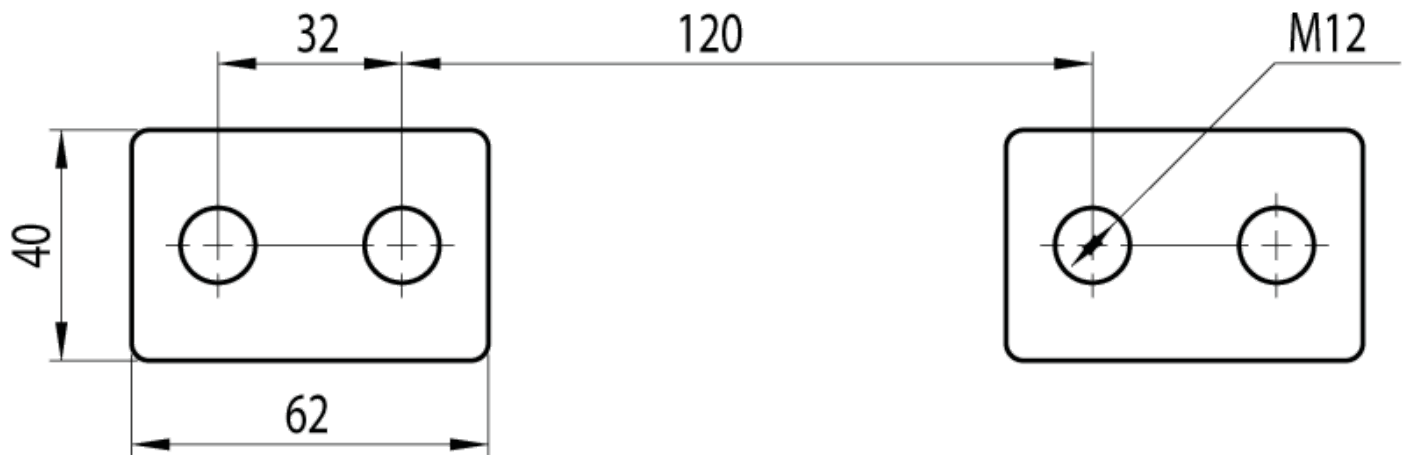
CTS 12.09.L



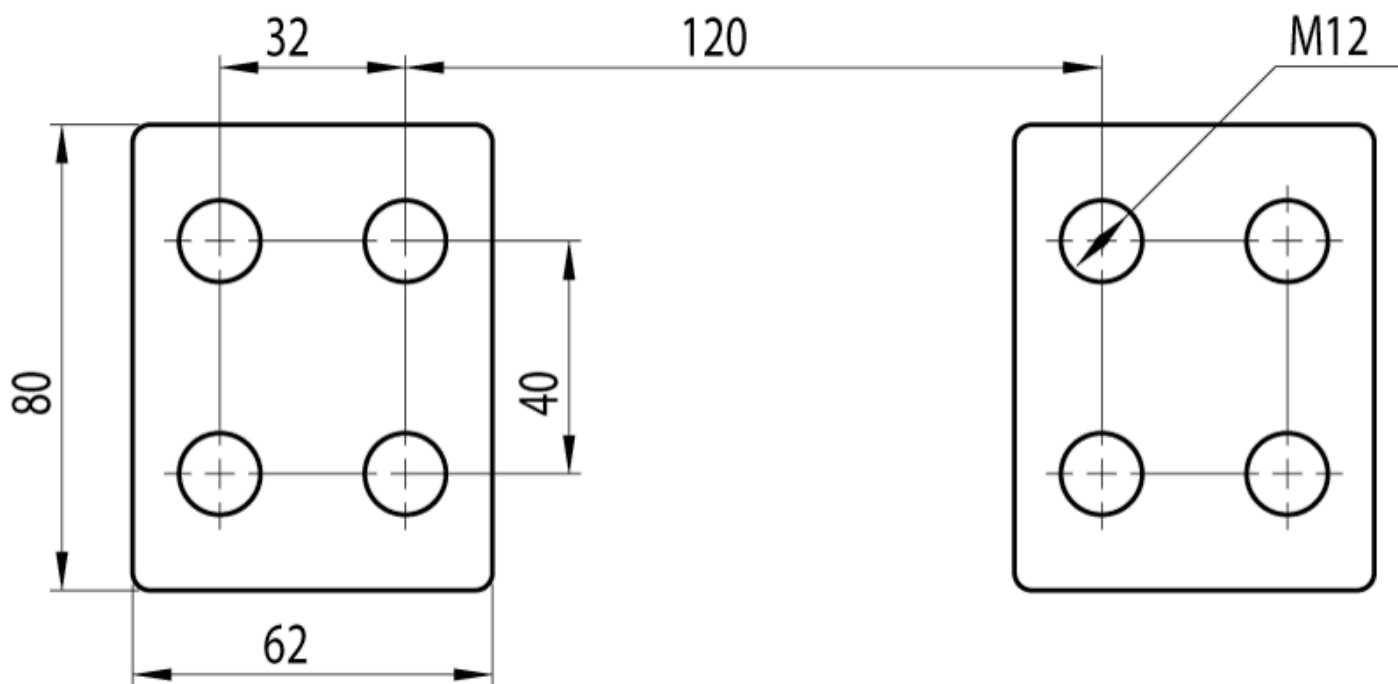
Sekundární svorkovnice
Secondary terminal
Клеммы вторичной обмотки



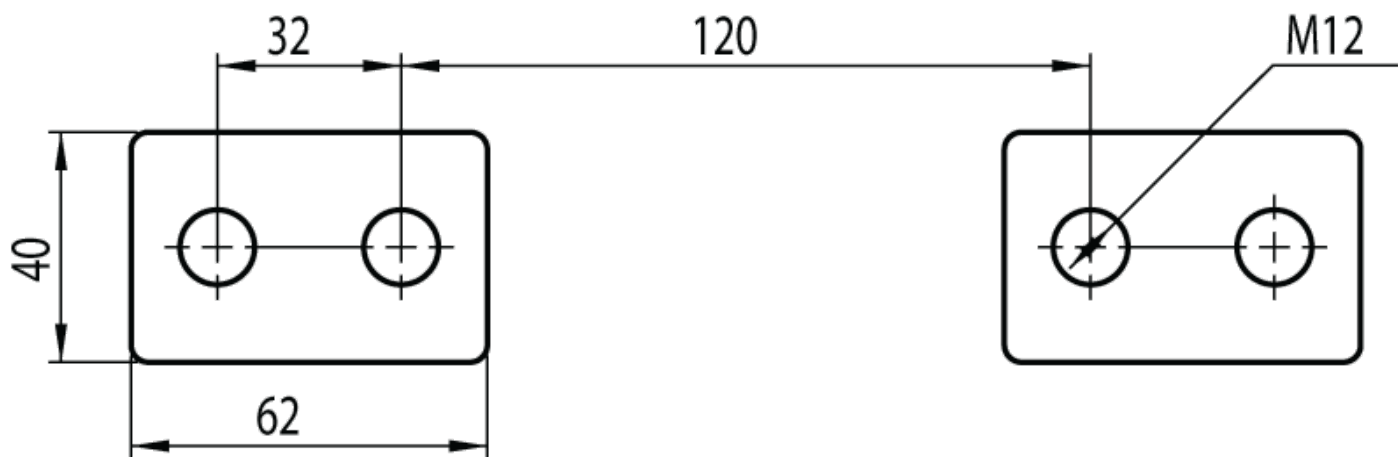
secondary terminal



implementation of primary terminals to 1250 A

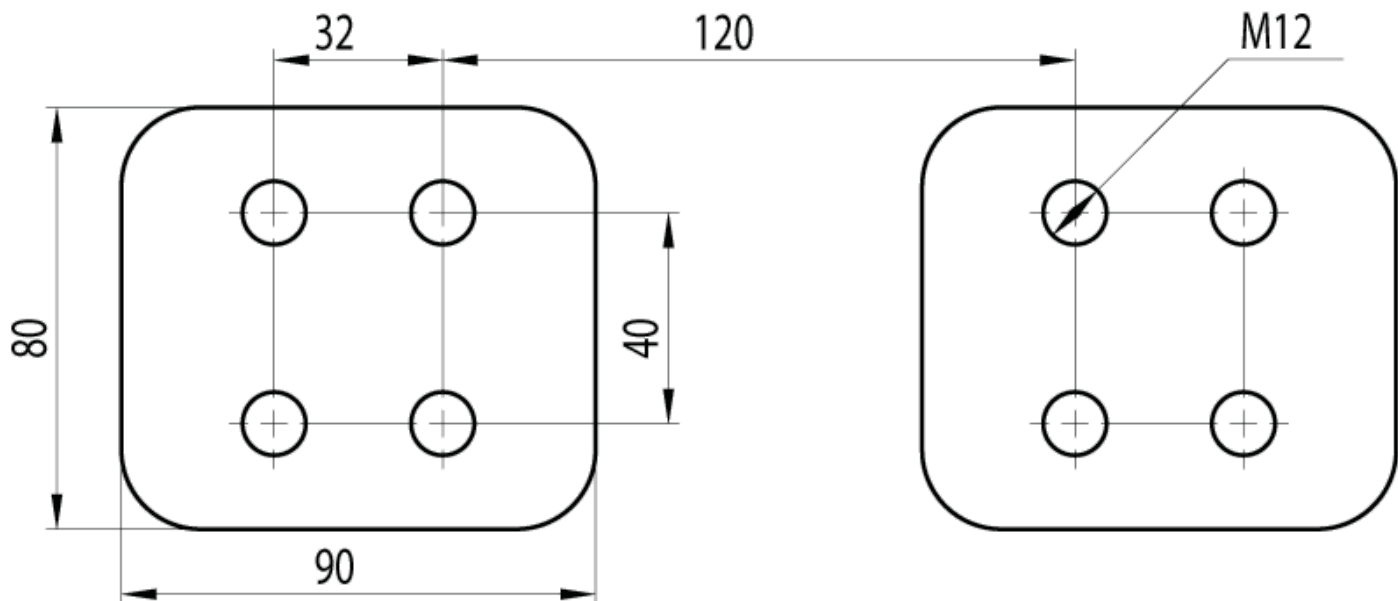


implementation of primary terminals from 1250 A to 1750 A

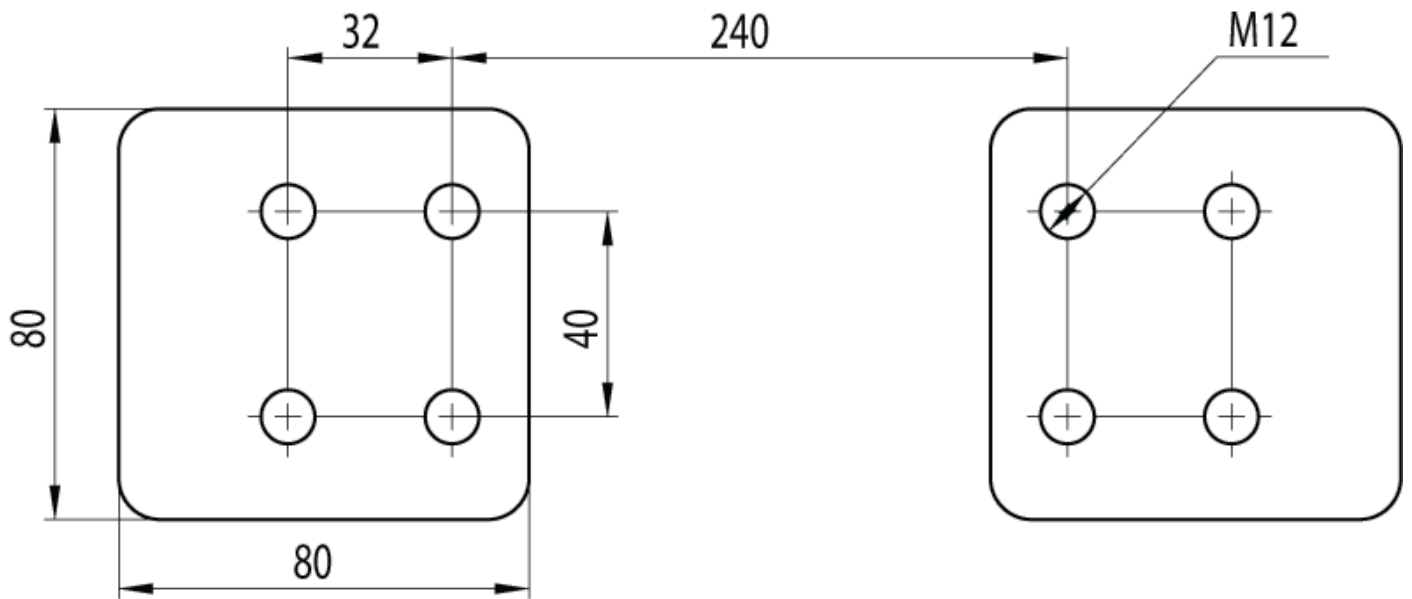


2 x 2 - M12 rámeček/frame/коробка

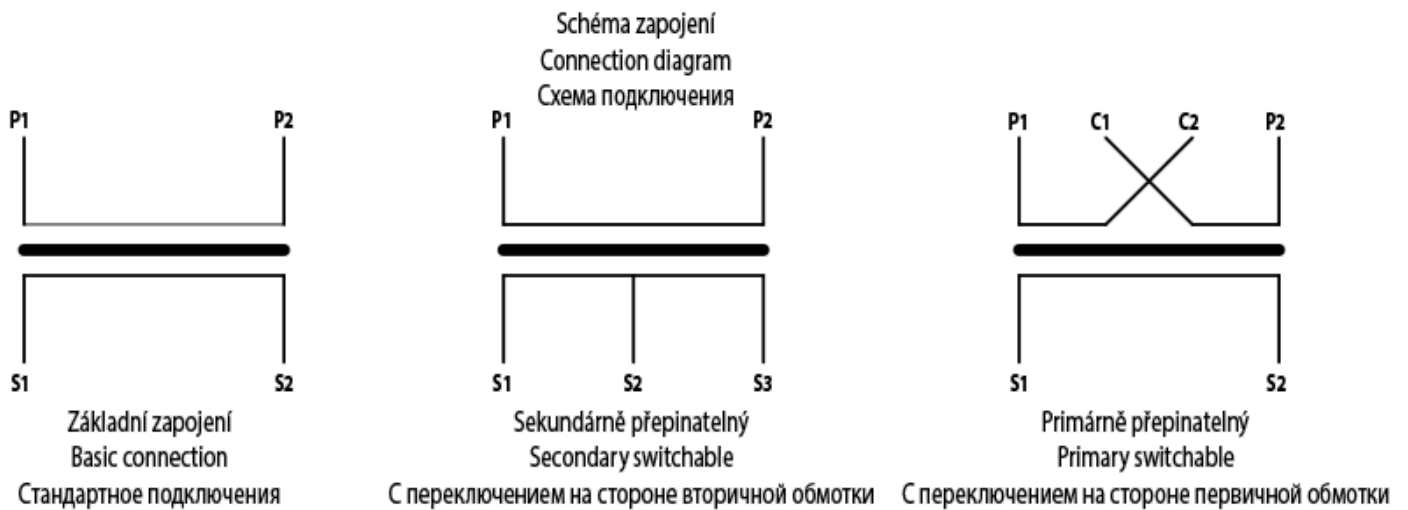
implementation of primary terminals to 1250 A according GOST



implementation of primary terminals from 1250 A to 1750 A in according GOST 15150



implementation of primary terminals up to 1750 A



connection diagram

KPB INTRA s.r.o.
Ždánská 477
68501 Bučovice
Czech Republic

jednatel, CEO: (+420) 603 481 128
obchodní oddělení: (+420) 604 237 033
sales: (+420) 734 221 264
technical department, technické oddělení:
(+420) 603 862 464

tel.: (+420) 517 380 388
obchdo@kpb intra.cz
sales@kpb intra.cz
http://www.kpb intra.cz