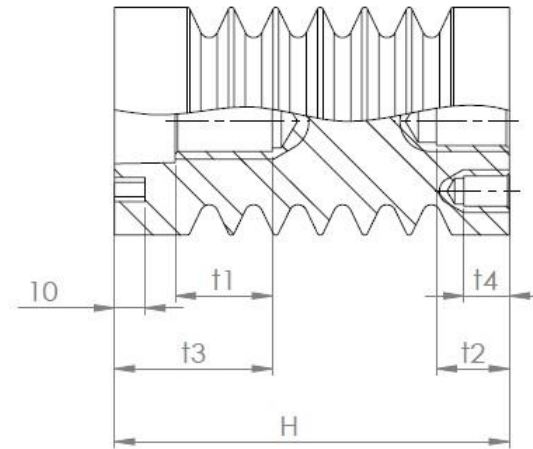
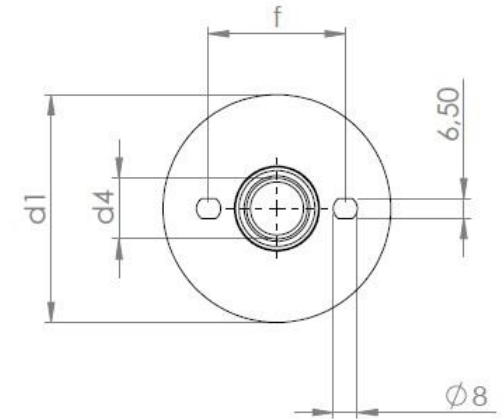
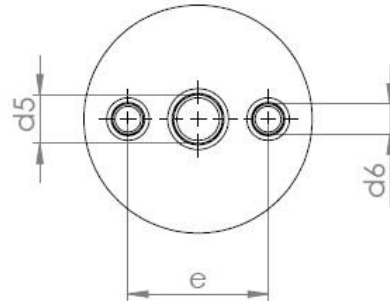


Indoor supporting insulator 10 CS

Product order code: 600 000 024



KPB Intra
Instrument Transformers

Type of indoor supporting insulator	Highest voltage for equipment [kV]	Power frequency withstand voltage [kV]	Lightning impulse test voltage [kV]	Failing load [kN]	Height of insulator [mm]	d1	d4	d5	d6	e	t1	t2	t3	t4	f	Weight [kg]	Creepage length [mm]
10CS	12	28	75	22	130	85	M20	M16	M10	46	30	24	50	15	55	1,2	201,5

