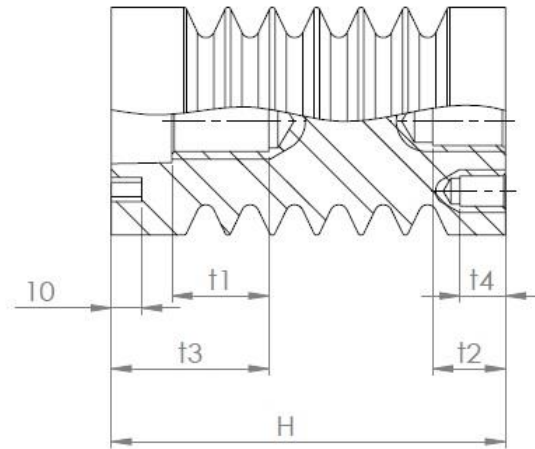
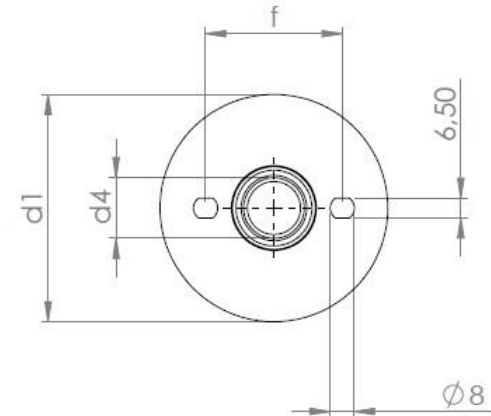
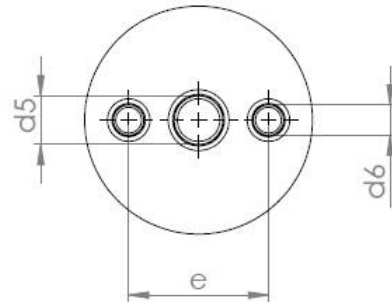


Indoor supporting insulator 10 CN

Product order code: 600 000 023



KPB Intra
Instrument Transformers

Type of indoor supporting insulator	Highest voltage for equipment [kV]	Power frequency withstand voltage [kV]	Lightning impulse test voltage [kV]	Failing load [kN]	Height of insulator [mm]	d1	d4	d5	d6	e	t1	t2	t3	t4	f	Weight [kg]	Creepage length [mm]
10CN	12	28	75	16	130	91	M20	M16	M10	66	30	25	50	15	55	1,4	190

