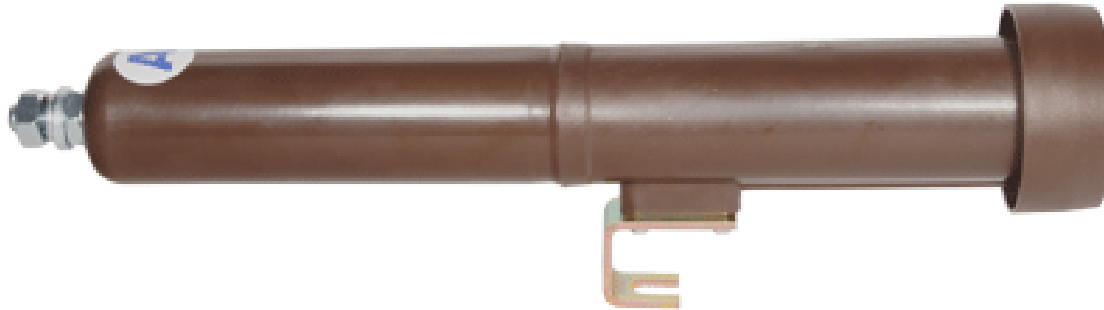


Horizontal plastic outdoor fuse holder KPB 25



Bush is intended for use on transformers: VTS 12, VTD 12, VTS 25, VTS 25 Sch, VTD 25.

Product order code of a fuse holder equipped with clamping contacts, for VPO fuse insert 307 000 098.

Product order code of a fuse holder equipped with clamping contacts, for SIBA fuse insert 307 000 086.

