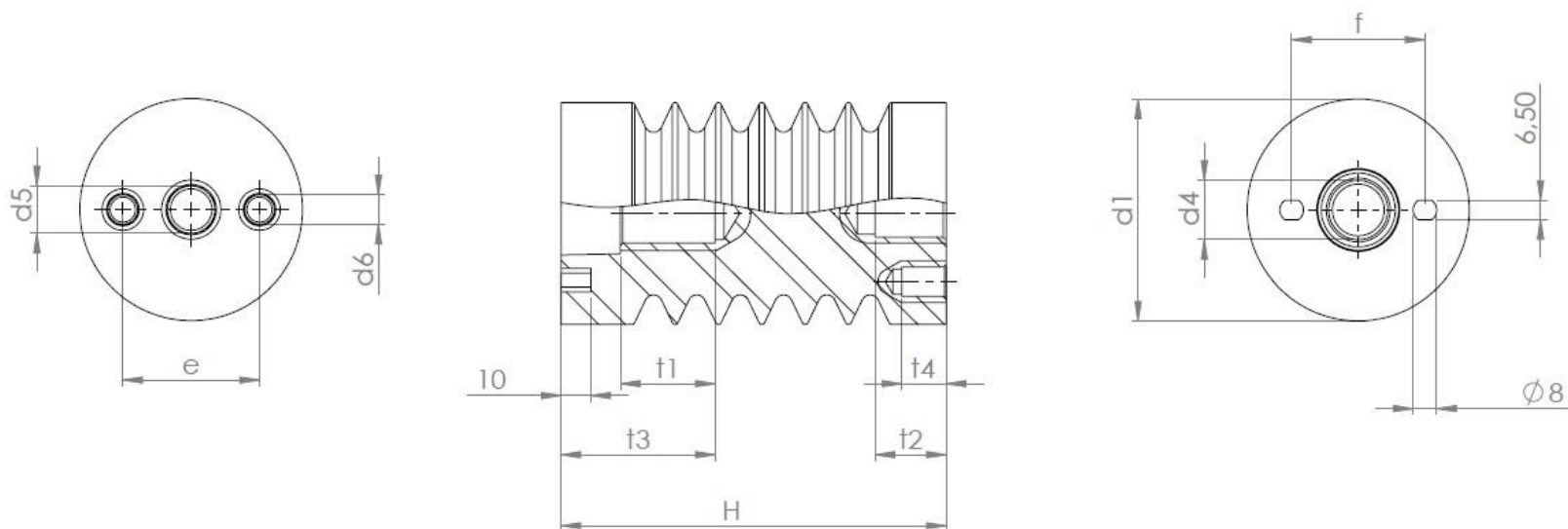


Indoor supporting insulator 20 BN

Product order code: 600 000 300



KPB Intra
Instrument Transformers

Type of indoor supporting insulator	Highest voltage for equipment [kV]	Power frequency withstand voltage [kV]	Lightning impulse test voltage [kV]	Failing load [kN]	Height of insulator [mm]	d1	d4	d5	d6	e	t1	t2	t3	t4	f	Weight [kg]	Creepage length [mm]
20BN	24	50	125	10	210	93	M20	M16	M10	46	36	30	55	15	50	2,2	314,5

